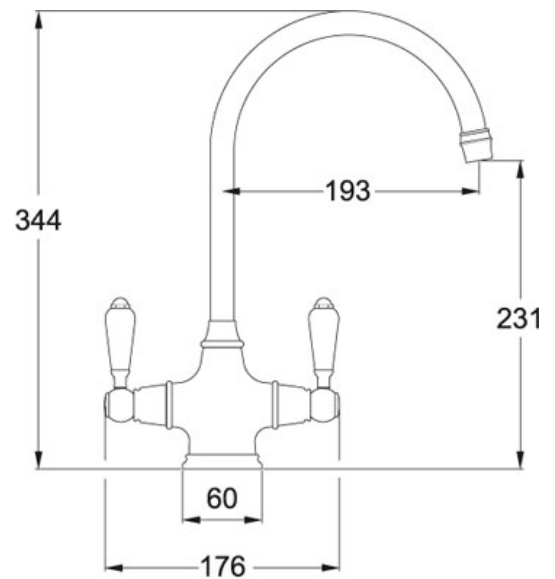


SPECIFICATION SHEET

PRODUCT FAMILY: Taps FINISH: SilkSteel SERIES: VENICIAN MODEL: VENICIAN



Product Information

Article Number	115.0184.670
Price	£ 334.50
Version	Bi-Flow Spout
Handle Width	176 mm
Height Overall	344 mm
Height to End of Spout	231 mm
Spout reach	193 mm
Hot Flow Rate at 0.3 bar	4.3 litres/min
Suitable for low pressure system	Yes

Accessories



133.0082.426