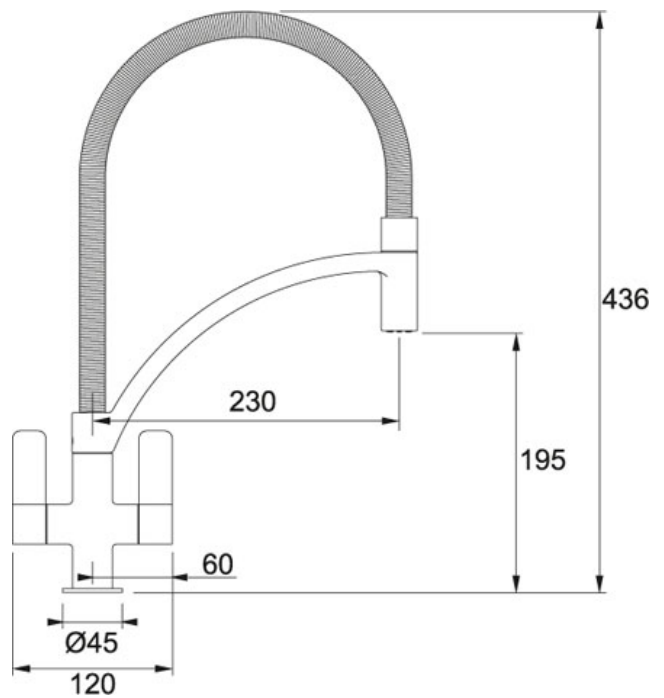


SPECIFICATION SHEET

PRODUCT FAMILY: Taps FINISH: Chrome SERIES: WAVE MODEL: PULL OUT NOZZLE



Product Information

Article Number	115.0277.034
Price	£ 250.00
Version	Pull Out Nozzle
Handle Width	120 mm
Height Overall	436 mm
Height to End of Spout	195 mm
Spout reach	230 mm
Hot Flow Rate at 0.3 bar	1.7 litres/min
Suitable for low pressure system	No