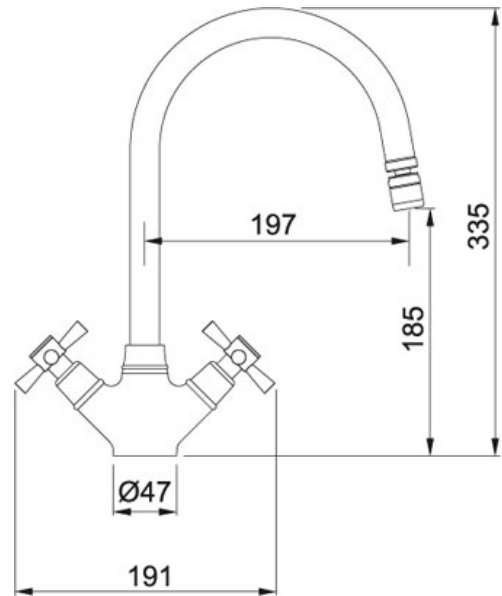


SPECIFICATION SHEET

PRODUCT FAMILY: Taps FINISH: SilkSteel SERIES: ROTAFLOW MODEL: SWIVEL SPOUT



Product Information

Article Number	115.0251.258
Price	£ 132.50
Version	Bi-Flow Spout
Handle Width	195 mm
Height Overall	320 mm
Height to End of Spout	180 mm
Spout reach	190 mm
Hot Flow Rate at 0.3 bar	4.7 litres/min
Suitable for low pressure system	Yes