

Instruction manual for 3IN1 steaming water tap

Model code: VAP3IN1/SS, VAPQ3IN1/SS



Safety instructions

This steaming hot water tap is not intended for use by persons (including children) with reduced physical, sensory or mental capabilities, or lack of experience and knowledge, unless they have been given supervision or instruction concerning use of the appliance by a person responsible for their safety.

Children should be supervised to ensure that they do not play with the appliance.

Cleaning and user maintenance must not be made by children without supervision.

Never immerse the appliance in water.

This is a household appliance only. It is not intended to be used in:

- Staff kitchen areas in shops, offices and other working environments,
- Bed and breakfast type environments,
- By clients in hotels, motels and other residential type environments.

To avoid all risk, if the plug or power cable is damaged, it must only be replaced by a Caple appointed engineer.

Do not wash children, hair or any pets in a sink within reach of this 3IN1 steaming water tap. Although there are safety features in place, the steaming water could cause scalding by release of near boiling water.

This appliance can be used by children aged from 8 years and above if they have been given supervision or instruction concerning use of the appliance in a safe way and if they understand the hazard involved.

Cleaning and user maintenance must not be made by children unless they are older than 8 and supervised. Keep the appliance and its cord out of the reach of children aged less than 8 years.

Appliances can be used by persons with reduced physical, sensory or mental capabilities or lack of experience and knowledge if they have been given supervision or instruction concerning use of the appliance in a safe way and understand the hazards involved.

Children must not play with this appliance.

When not in use and before cleaning, always unplug the appliance.

Important

Read the instruction manual carefully before using the appliance for the first time.

This appliance is designed solely to dispense hot and cold water, also to dispense near boiling water. Other types of use are not permitted and may prove dangerous. Caple will not be held liable for any damage caused by the incorrect use of the appliance.

Do not use any accessories or attachments not recommended by Caple as this may result in fire, electric shock or injury.

To protect against fire, electrical shock and injury to persons, do not immerse cord or plugs in water or any other liquid.

Never touch the under-counter parts of the appliance with wet or damp hands.

Never touch the plug with wet or damp hands.

Make sure the socket used is freely accessible at all times, enabling the appliance to be unplugged when necessary.

Unplug directly from the plug only. Never pull the power cable as you could damage it.

If the appliance is faulty, do not attempt to repair it. Unplug from the mains electric socket and contact Caple Service either by phone 0117 938 7420 or email service@caple.co.uk.

Keep all packaging (including plastic bags, polystyrene foam etc) out of the reach and away from children.

This appliance produces very hot, near boiling water and steam may form while it is in operation. Avoid contact with splashes of hot water or hot

steam. Always follow the instructions and use the lever handles to control the product.

Do not rest large or unstable objects on any part of the appliance.

Do not rest vessels containing liquids, inflammable or corrosive materials on top of any part of the appliance.

Important

Caple cannot be held responsible for injuries or losses caused by incorrect use or installation of this product. Please note that Caple reserve the right to invalidate the guarantee supplied with this product following incorrect installation or misuse of the appliance. The guarantee may become void in the event of the water filter not being replaced at the required six month intervals or it not being set to the correct setting as outlined in the filter installation instructions. Under no circumstances should any external covers be removed for servicing or maintenance except by suitably qualified personnel.

CE Declarations of Conformity



This appliance has been designed, constructed and marketed in compliance with safety requirements in force.

This appliance has been manufactured to the strictest standards and complies with all applicable legislation, including Electrical safety (LVD) and Electromagnetic interference compatibility (EMC).

Environmental protection

Waste electrical products should not be disposed of with household waste. Please recycle where facilities exist. Check with your Local Authority or retailer for recycling advice.



This appliance is marked according to the European directive 2002/96/EC on Waste Electrical and Electronic Equipment (WEEE). By ensuring this product is disposed of correctly, you will help prevent potential negative consequences for the environment and human health, which could otherwise be caused by inappropriate waste handling of this product. The symbol on the product indicates that this product may not be treated as

household waste. Instead it shall be handed over to the applicable collection point for the recycling of electrical and electronic equipment. Disposal must be carried out in accordance with local environmental regulations for waste disposal.

For more detailed information about treatment, recovery and recycling of this product, please contact your local council, your household waste disposal service or the retailer where you purchased the product.

Accessories supplied

You will receive 3 separate boxes for this product:

- 1 Tap
- 2 BOILER1 – boiler tank
- 3 PURITI4 – Filter and fixings

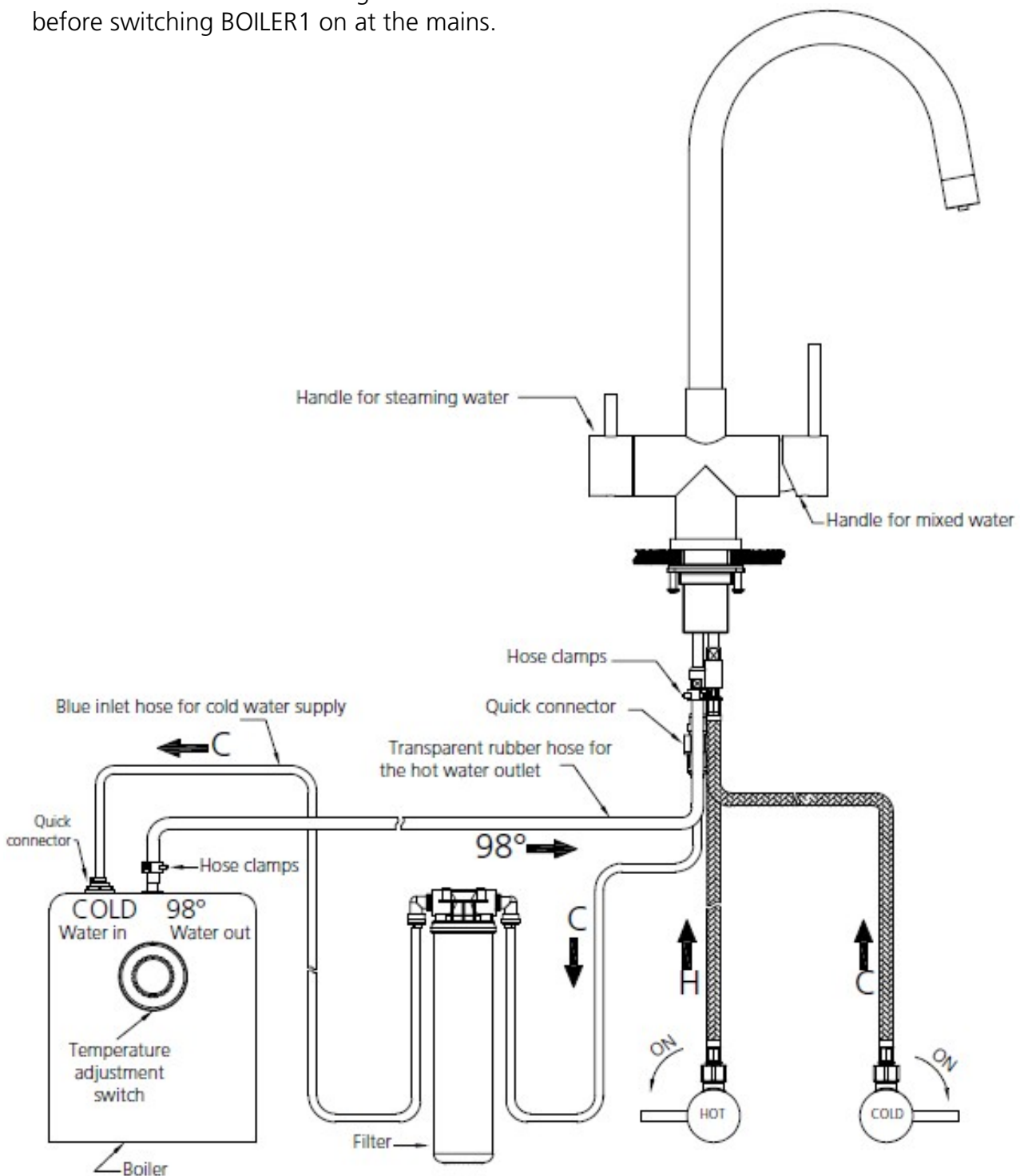
The contents of the boxes should be as follows:

- 1 1 x instruction book
- 2 1 x tap
- 3 2 x flexible tap tails (blue & red)
- 4 1 x white triangular base
- 5 1 x boiler
- 6 1 x quick connector (push fit adaptor)
- 7 1 x transparent rubber hose for hot (near boiling) water outlet
- 8 1 x Claris Ultra filter (in PURITI4 box) with installation guide
- 9 1 x adjustable filter head and fittings (in PURITI4 box)
- 10 1 x blue tube for clean cold water inlet supply (supplied in the filter box PURITI4)
- 11 2 x hose clamps
- 12 1 x spare white tube for clean cold water inlet



Installing your 3IN1 steaming hot water tap

- 1 In order to prevent an electric shock, do not place electrical wires, plugs or the dispenser at wet or damp location.
- 2 If any cables or sockets have signs of damage, do not connect the appliance to the power supply. These should be replaced by a Caple Service agent.
- 3 When installing the dispenser, you should allow 10 to 15 cm of space around it for ventilation.
- 4 You must never use a spare part which is not recommended by Caple.
- 5 The temperature adjustment knob/switch controls the water temperature, not the water flow, please take care when turning not to force the knob.
- 7 Do not 'dry heat' the water tank as this can cause heating of the pipes and the water tank will become damaged. You must ensure the tank has been filled with water before switching BOILER1 on at the mains.

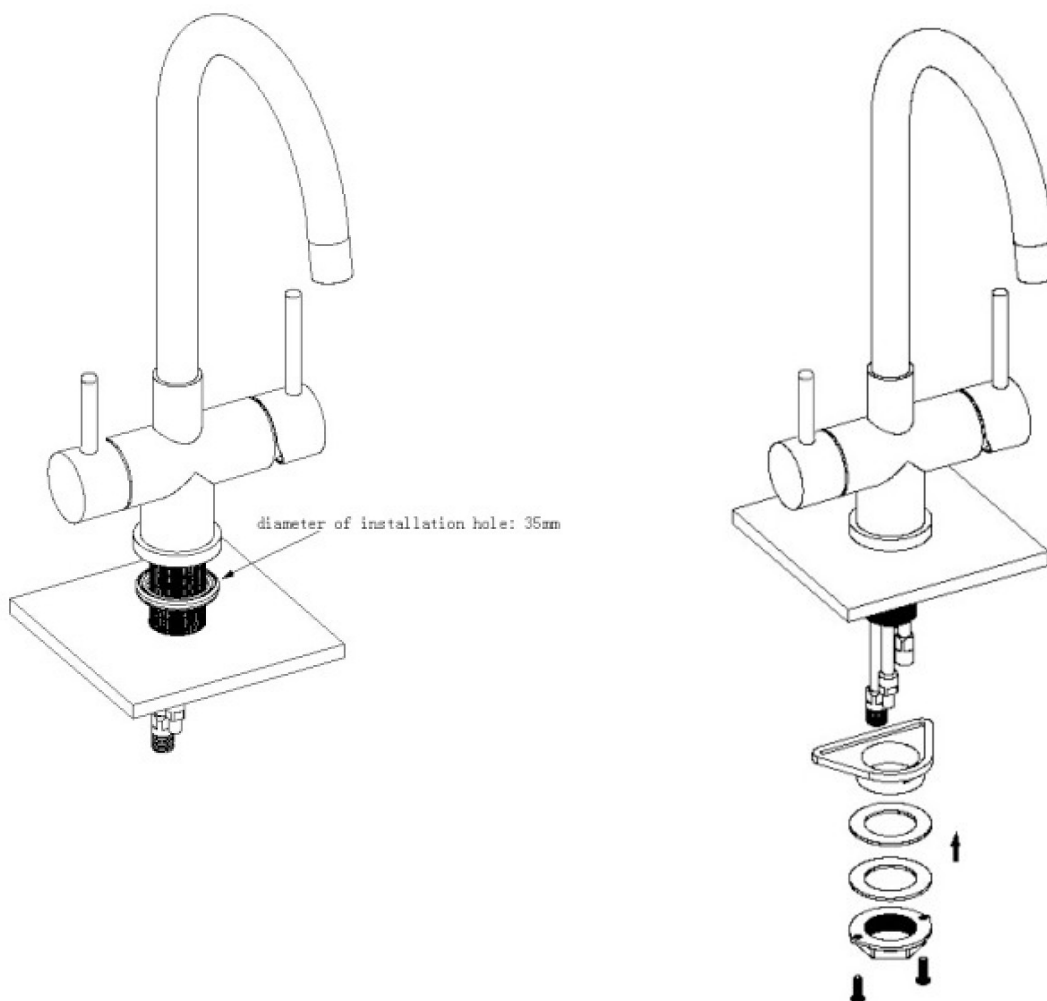


Installation

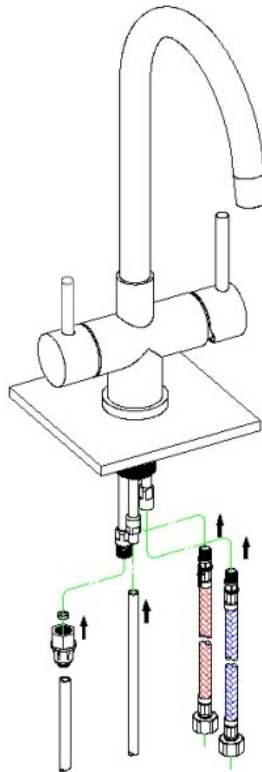
- 1 The power outlet must be correctly earthed and also be able to be isolated by a switch.
- 2 Use a separate circuit for the boiler, which is also correctly earthed.
- 3 The tap can be installed into the sink or the worktop using a 35mm hole.
- 4 Install the water boiler vertically, it must not be placed on its side. It can be stood on the base of the cabinet, but it is recommended to fix the boiler in position using the brackets provided

Installation steps

1. Install the tap onto in the sink or the worktop as shown below, and tighten the fixing screw.



2. Screw the two flexible hoses into the base of the tap, the red hose connects the hot water and the blue hose connects the cold water.



3. Screw in the push fit 'quick connector' with the supplied o'ring into the metal tube at the base of the tap. Then insert the blue plastic tube (6mm / 1/4") into this 'quick connector' and connect the other side of this blue tube to the side inlet of the Claris Ultra filter head. Connect the other blue tube to the outlet on the filter head and connect the other end to the cold water inlet on the top of the boiler. Ensure all the push fittings are installed securely to allow for a water tight fitment.

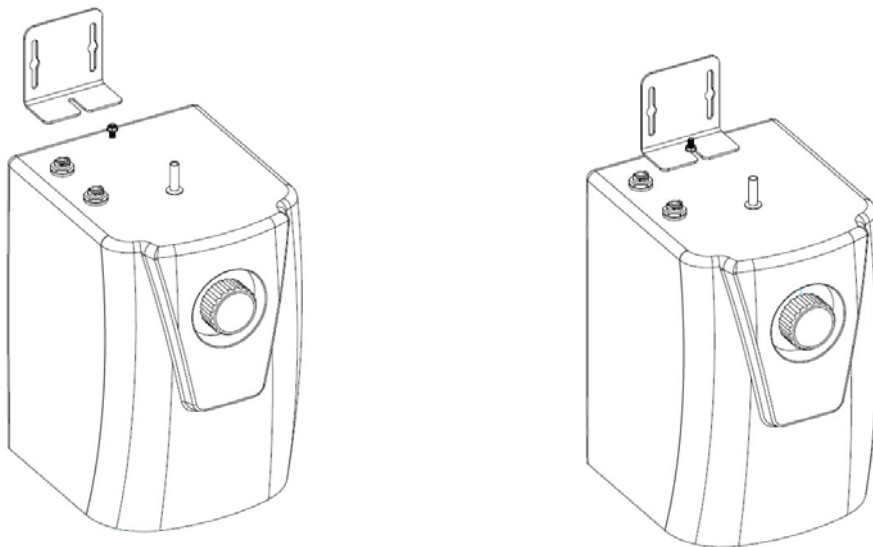


4. Follow the instructions supplied with the filter and filter head to ensure it is set to the correct setting for the water hardness in your area. Failure to do this will invalidate your guarantee.

5. Connect the transparent silicone tube to the tap using the hose clamp to secure it in place. Connect the other side of this silicone tube to the hot water outlet in the middle of the water tank and again use the hose clamp to secure it in place.
6. Turn on the standard cold/hot water supply by using the right hand handle on the tap to test the cold water (blue colour indicator) and hot water (red colour indicator). Switch it off after the flow becomes normal.
7. Turn on the left handle of the tap (with child safety lock, push the lever down and backwards), until the water completely the boiler tank and begins to flow from the tap. Continuously let the water flow for at least 5 minutes in order to flush the tube and filter.
8. Check all connections to ensure that no tubes are stretched or twisted and there are no leakages, then fix the boiler in the final location using the brackets supplied. The boiler must be installed upright.

To fix the boiler to the cabinet, remove the hanging plate from the packaging:

- Mark the fixing location of the hanging bracket on the inside of the cabinet and install the bracket fixing screws into the cabinet
- Using the nut and thread on the top of the boiler, fit the bracket.
- Fix the boiler in position by locating the bracket on the screws previously fixed into the cabinet
- Tighten all screws to securely fix in place



9. Connect the boiler to the power supply (**please ensure the boiler tank is full of water before switching on, any damaged caused by not following this instruction will not be covered by the guarantee**).
10. Test the dispenser. Rotate the temperature control knob clockwise to the highest setting, wait for 10 minutes until you can hear the water boiling. The indicator

light behind the temperature control knob will illuminate blue once it has reached 98°C. Use the left hand safety lever to start the flow of steaming water.

NOTE it may take a few seconds for the water to begin to flow as it makes the way up the tube (the time will vary depending on the length of the tube). Always allow the water to run for a few seconds before using the steaming water to make a drink. This will ensure any water which may have cooled in the tube has been expelled first, allowing for a steaming hot beverage to be made.

Operation

1 To adjust the water temperature, turn the temperature control dial at the front of the water tank clockwise to increase the temperature and turn the dial clockwise to reduce the temperature. The temperature can be adjusted from approximately 50°C to 98°C.

2 To begin using the near boiling water, press the lever downwards to release the lock and then backwards. There is a safety spring mechanism which will switch off the water supply if you let go of the lever. Please hold the lever back for the full time you need to draw the near boiling water from the tank. Then release it to switch it off.

3 In order to guarantee the performance and quality of your 3IN1 steaming water tap, do not stretch the tubes after installation, take extreme care not to touch any of the tubes or fixings.

4 If the flow reduces this may be due to the filter needing replacement. **The water filter must be replaced at least once every 6 months, failure to do this may invalidate the guarantee.**

5 If the boiler is not going to be used for a long period of time, please rotate the temperature dial fully counter clockwise and disconnect it from the power supply. Allow the steaming water to flow from the tap until it runs cold.

6 When you are ready to use the boiler again, ensure you fill the tank completely before connecting the boiler to the power supply and turning the temperature control clockwise to the desired temperature setting. Failure to fill the tank prior to switching on may cause damage and invalidate the guarantee.

7 It is important that the water filter is replaced at least every 6 months and installed according to the instructions supplied with the filter. Failure to correctly set the filter head to the correct setting or replace the filter when required will affect the boiler's performance and cause scale build up, this may invalidate the guarantee.

The indicator light behind the temperature control knob will illuminate red while it is heating, it will change to blue once it has reached 98°C (or the set temperature dial setting).

NOTE hot water and steam can periodically be released from the tap when it is not in use. This is normal and is due to the high operational temperature and the boiling water in the tank. Steam is given off which rises up through the tubes and spout. Lowering the temperature of the boiler slightly can reduce this effect.



Boiler heating time

The below table shows the effect on the temperature of the water as water is drawn from the boiler. For example if you take 1000ml (enough for around 8 cups of tea) of boiling water in one go, the remaining water in the boiler will drop to 96°C and take around 320 seconds to heat back to 98°C. The temperature adjustment dial will illuminate red when the temperature drops below the set temperature and blue once it has heated back to the desired temperature.

| Temperature adjust switch: Max | Temperature of inlet water: 21.8 °C | | Pressure of inlet water: 1.5 ~2bar | |
|-----------------------------------|--|------------------|---------------------------------------|---------------------------|
| Volume of output (ml) | Open time (sec) | Temperature(°C) | Heating time (sec) | Colour of indicator light |
| 0 | 0 | 98 | 1200 | blue - red - blue |
| 0-250 | 11 | 98 | / | blue |
| 0-500 | 22 | 98 | / | blue |
| 0-750 | 34 | 98 | / | blue |
| 0-1000 | 46 | 96 | 320 | red |
| 0-1250 | 58 | 94 | 380 | red |
| 0-1500 | 70 | 92 | 390 | red |
| 0-1750 | 84 | 80 | 440 | red |
| 0-2000 | 96 | 60 | / | red |
| 0-2250 | 108 | 50 | / | red |

Please note: The above data is based on tested water taken directly from the boiler tank, not the tap. The water temperature from the tap will be different dependent on the length of the hose between the boiler and tap .

Care and maintenance

IMPORTANT you must not perform any care or maintenance on this product without first switching off the power supply and disconnecting the boiler from the mains.

Cleaning

This product can be cleaned by simply using warm water with a small amount of mild detergent added. Use a soft cloth (not a scouring pad as this will damage the surface) and wipe the exterior of the boiler and tap. DO NOT use any abrasive cream cleaners (including Cif and Cillit Bang), these cleaning fluids can also damage the surface and remove the markings on the tank and tap surface.

Troubleshooting

Below is a table of possible malfunctions, this should help you solve any problems without the need to contact an engineer:

| Fault | Reason | Solution |
|---|---|---|
| Hot water and steam are released or drip from tap when not in use | The water is boiling and the temperature is very high. Steam is given off from the boiling water which rises up and collects in the tubes and spout, this is normal. | Turn on the instant steaming water handle to release some water and pressure from the tank. Rotate the thermostat counter clockwise slightly to reduce the set temperature. |
| The water is not hot. | There is no power supply. The boiler temperature dial is set to off. | Check the power supply. Check the temperature dial is set to the desired temperature |
| The temperature of water is too high or not high enough. | The temperature dial is not set to the required temperature. | Adjust the temperature switch gently or turn on the hot tap handle for 20 seconds in order to let the fresh water flow into the dispenser. Wait for 5 to 7 minutes, and the water will be heated to required temperature. |
| The water does not flow immediately | This 3IN1 steaming water tap is designed for a non-pressurised operation, there may be a slight delay before the near boiling water begins to flow, this is normal. | This is not a fault. The length of the tube used to supply the near boiling water can affect this. If the tube can be reduced in length you may see a slight improvement as the water has less distance to travel. |
| Leakage from the tap. | Steam is given off from the boiling of the water which rises up and collects in the tubes and spout, this will condense and can drip from time to time, this is normal. | Using a lower temperature can reduce the amount of steam given off. Rotate the temperature control counter clockwise to reduce the temperature |
| The flow has reduced | The filter may have expired or become clogged. The filter must be replaced at least once every six months | <ol style="list-style-type: none"> 1. Check the water pressure. 2. Replace the water filter |
| There is no water flow | The water valve may have been switched off. The inlet pipes may be twisted. | Turn on all the water valves. Ensure the pipes are not twisted or kinked. If this does not resolve the issue, remove and clean the aerator. |

If you have a problem which cannot be resolved by using the troubleshooting table please contact Caple Service, either by telephone on 0117 938 7420 or by email service@caple.co.uk.

Please quote the model and serial number when contacting Caple service. The serial number can be found on the rating plate positioned on the back of the boiler.

Serial number _____

Purchase date _____

Boiler technical specification

| | |
|------------------|-------|
| Rated Voltage: | 220V |
| Rated Frequency: | 50Hz |
| Rated Power: | 1200W |
| Rated Current: | 10A |

| | |
|--------------------|--------------------------|
| Capacity: | 2.4L |
| Temperature range: | 50°C-98°C |
| Power Consumption: | 0.75KWh/24H |
| Inside Material: | Stainless steel |
| Dimensions: | H340mm / L230mm / W200mm |

Tap options



VAP3IN1/SS
Vapos



VAPQ3IN1/SS
Vapos Quad

Caple
Fourth Way
Avonmouth
Bristol
BS11 8DW
www.caple.co.uk