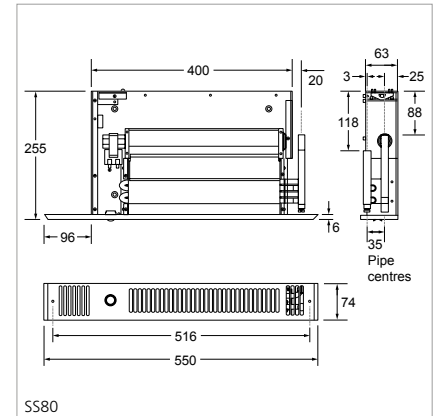


Space Saver - Hydronic



A highly energy efficient fan convector that fits neatly into the plinth of a kitchen unit and eliminates the need for conventional radiators



Features

- Makes room for extra kitchen storage, work space, or additional appliances
- More affordable than underfloor heating
- Get the flooring you want
- Discreet heating
- Easy to use
- Suitable for plinth heights from 80mm upwards
- Contemporary design with a wide choice of grille colours to suit interior decoration
- Two heat outputs and fan only option for instant heat and cool air circulation
- Low voltage bathroom model available for high humidity areas
- Free five years parts and labour warranty

Applications

- Kitchen
- Utility
- Bathroom

Motor

AC

Finish

Fascia grilles: Stainless steel.
Finish: brown - RAL 8016, black - RAL 9005, white - RAL 9010, chrome

Installation

Correct fascia grille opening must be cut to allow sufficient air intake
20mm clearance above unit required

Model secured to plinth by two screws through fascia grille
Unit must be earthed (not 12 volt SELV)

Suitable for two-pipe central heating systems only

SS80 supplied with detachable cable

SS80 models have easy fit thermostat facility

Commissioning

Check water temperature is hot enough to activate low temperature cut-out thermostat (LTC). Vent screw accessible through fascia grille

Controls

Single rocker switch - low/off/normal

SS80: Low temperature cut-out thermostat set to energise fan at approximately 35°C

SS5 W/Dual: three rocker switches, heating/off/fan-only, hydronic/electric, normal/boost

Low temperature cut-out thermostat set to energise fan at approximately 35°C

All other models: two rocker switches -normal/off/boost, heating/fan-only

Low temperature cut-out thermostat set to energise fan at approximately 35°C

Time and temperature control

Accessories

Wall-mounted room thermostat

Wall mounted control switch (white) to suit SS3, SS5, SS5/12V, SS7, SS9

Attachments

Grilles: brown - RAL 8016, black - RAL 9005, white - RAL 9010 and chrome

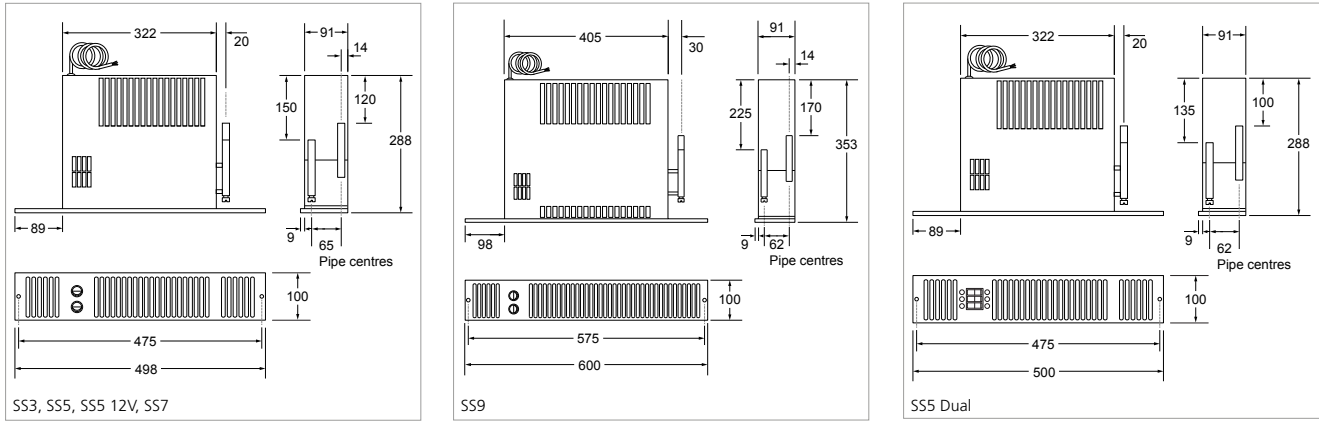
Attachments



Brown, black, chrome or white fascia grilles

Space Saver - Hydronic

A highly energy efficient fan convector that fits neatly into the plinth of a kitchen unit and eliminates the need for conventional radiators



Heat Output

Model	Room size guide* (m ³)	Heat Output at 80°		Heat Output at 75°		Heat Output at 70°		Heat Output at 65°		Heat Output at 60°	
		Normal (kW)	Boost (kW)	Normal (kW)	Boost (kW)	Normal (kW)	Boost (kW)	Normal (kW)	Boost (kW)	Normal (kW)	Boost (kW)
Hydronic											
SS80	63	0.8	1.1	0.8	0.9	0.7	0.8	0.6	0.7	0.6	0.7
SS3	46	1.1	1.4	1.0	1.3	0.9	1.2	0.8	1.1	0.7	1.0
SS5	37	1.3	1.7	1.2	1.6	1.1	1.4	1.0	1.3	0.9	1.1
SS7	31	1.6	1.9	1.4	1.8	1.3	1.6	1.2	1.5	1.1	1.3
SS9	24	2.2	2.4	2.1	2.2	1.8	2.0	1.7	1.8	1.5	1.7
Hydronic low voltage											
SS5 12V	33	1.3	1.7	1.2	1.6	1.1	1.4	1.0	1.3	0.9	1.1
Hydronic/electric (dual)											
SS5 Dual (electric mode)	37	1.3	1.7	1.2	1.6	1.1	1.4	1.0	1.3	0.9	1.1
SS5 Dual	29	1.0	-	1.0	-	1.0	-	1.0	-	1.0	-

Model	Room size guide* (m ³)	Heat Output at 55°		Heat Output at 50°		Heat Output at 45°		Heat Output at 40°	
		Normal (kW)	Boost (kW)	Normal (kW)	Boost (kW)	Normal (kW)	Boost (kW)	Normal (kW)	Boost (kW)
Hydronic									
SS80	63	0.5	0.6	0.4	0.5	0.4	0.4	0.3	0.3
SS3	46	0.6	0.9	0.5	0.8	0.4	0.7	0.3	0.6
SS5	37	0.8	1.0	0.7	0.9	0.6	0.8	0.5	0.7
SS7	31	1.0	1.2	0.9	1.0	0.8	0.9	0.6	0.8
SS9	24	1.3	1.5	1.1	1.3	0.9	1.1	0.7	0.9
Hydronic low voltage									
SS5 12V	33	0.8	1.0	0.7	0.9	0.6	0.8	0.5	0.7
Hydronic/electric (dual)									
SS5 Dual (electric mode)	37	0.8	1.0	0.7	0.9	0.6	0.8	0.5	0.7
SS5 Dual	29	1.0	-	1.0	-	1.0	-	1.0	-

*Room sizes given in cubic metres for general guidance only based on normal heat output (80°C) for domestic applications - always calculate heat losses. Heat outputs tested in accordance with BS4856 using entering water temperature and 340 l/h (75gph) flow rate. Fan-only option operational only when central heating system is switched off. Dual models include an electric element which in electric heating mode will emit 1kW of heat.

Space Saver - Hydronic



A highly energy efficient fan convector that fits neatly into the plinth of a kitchen unit and eliminates the need for conventional radiators

Model	Room size guide* (m ²)	Sound levels		Fascia grille finish	Fan-only	Minimum plinth height (mm)
		Normal (dBA)	Boost (dBA)			
Hydronic						
SS80	24	32	40	Stainless Steel	•	80
SS3	31	26	39	Stainless Steel	•	100
SS5	37	27	43	Stainless Steel	•	100
SS7	46	30	44	Stainless Steel	•	100
SS9	63	41	46	Stainless Steel	•	120
Hydronic Low Voltage						
SS5 12V	33	31	39	Stainless Steel	•	100
Hydronic/Electric (Dual)						
SS5 Dual (in hydronic mode)	37	27	43	Stainless Steel	•	100
SS5 Dual (in electric mode)						100

Sound levels measured at 1.5m.

Model	Flow & return connections	Mains cable	Transformer	Flexible hoses	Fused spur	Total Power Consumption		Water Capacity (Litres)
						Normal (W)	Boost (W)	
SS80	15mm	2m	n/a	•	3A	5	10	0.35
SS3	15mm	2m	n/a	n/a	3A	18	25	0.36
SS5	15mm	2m	n/a	•	3A	18	25	0.36
SS7	15mm	2m	n/a	•	3A	21	30	0.38
SS9	15mm	2m	n/a	•	3A	24	35	0.53
SS5 12V	15mm	0.45m	•	•	3A	21	30	0.36
SS5 Dual	15mm	2m	n/a	•	3A	18 (electric mode)	25 (electric mode)	0.36

Ordering guide

Model	Packed Wt (kg)	Product Codes
Hydronic		
SS3 (with Stainless Steel Grille) - No Hoses	5	HPSS10001
SS5 (with Stainless Steel Grille)	6	HPSS10002
SS7 (with Stainless Steel Grille)	6	HPSS10003
SS9 (with Stainless Steel Grille)	7	HPSS10004
SS80 (with Stainless Steel Grille)	5	HPSS10009
SS5/12V (with Stainless Steel Grille)	6	HPSS10005
Hydronic/Electric		
SS5/Dual (with Stainless Steel Grille)	6	HPSS10076

Accessories	Colour	Product Codes
SS3 / SS5 / SS5 12V / SS7 Grille	Brown	HASS10101
SS3 / SS5 / SS5 12V / SS7 Grille	Black	HASS10102
SS3 / SS5 / SS5 12V / SS7 Grille	White	HASS10103
SS3 / SS5 / SS5 12V / SS7 Grille	Chrome	HASS10104
SS9 Grille	Brown	HASS10111
SS9 Grille	Black	HASS10112
SS9 Grille	White	HASS10113
SS9 Grille	Chrome	HASS10114
SS5 Dual Grille	Brown	HASS10121
SS5 Dual Grille	Black	HASS10122
SS5 Dual Grille	White	HASS10123
SS5 Dual Grille	Chrome	HASS10124
SS80 Grille	Brown	HASS10141
SS80 Grille	Black	HASS10142
SS80 Grille	White	HASS10143
SS80 Grille	Chrome	HASS10165
Remote Room Thermostat		HAGA95001
Wall mounted control switch - SS3, SS5, SS7, SS9		HASS10162
15mm Flexible Hoses (Pr)		HAGA95002

As part of our commitment to continuous improvement Smith's Environmental Products may change the specifications of its products without prior notification or public announcement. All descriptions, illustrations, drawings and specifications in this publication present only general particulars and shall not form part of any contract. All dimensions are in mm unless otherwise stated.