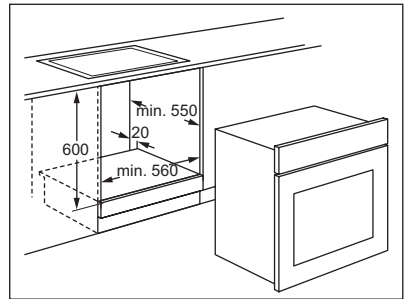
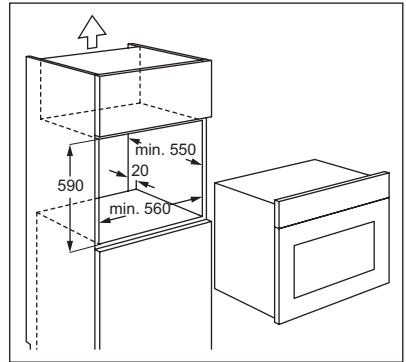
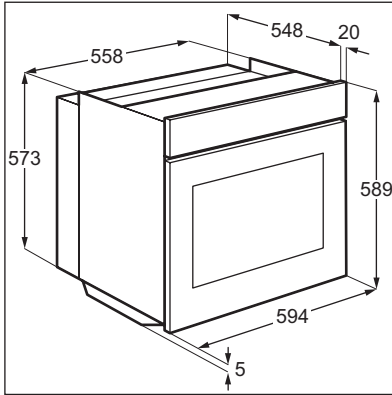
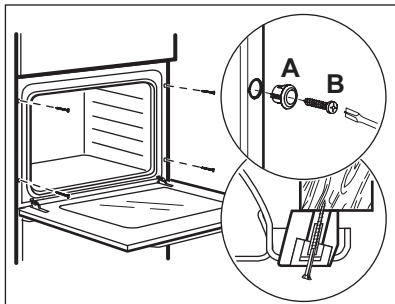


INSTALLATION



WARNING!
Refer to the Safety chapters.

1 Building In



2 Electrical installation



WARNING!

Only a qualified person must do the electrical installation.



The manufacturer is not responsible if you do not follow the safety precautions from the chapter "Safety Information".

This appliance is only supplied with a main cable.

3 Cable

Cable types applicable for installation or replacement: H07 RN-F, H05 RN-F, H05 RRF, H05 VV-F, H05 V2V2-F (T90), H05 BB-F.

For the section of the cable refer to the total power (on the rating plate) and to the table:

Total power	Section of the cable
maximum 1380 W	3 x 0.75 mm ²
maximum 2300 W	3 x 1 mm ²
maximum 3680 W	3 x 1.5 mm ²

The earth cord (green / yellow cable) must be 2 cm longer than phase and neutral cables (blue and brown cables).