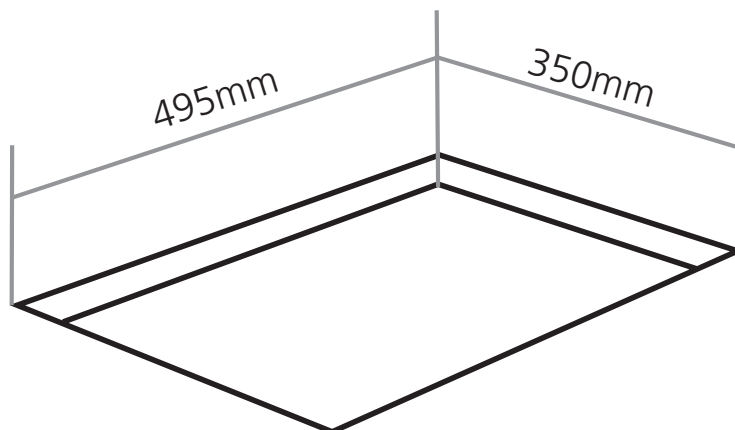
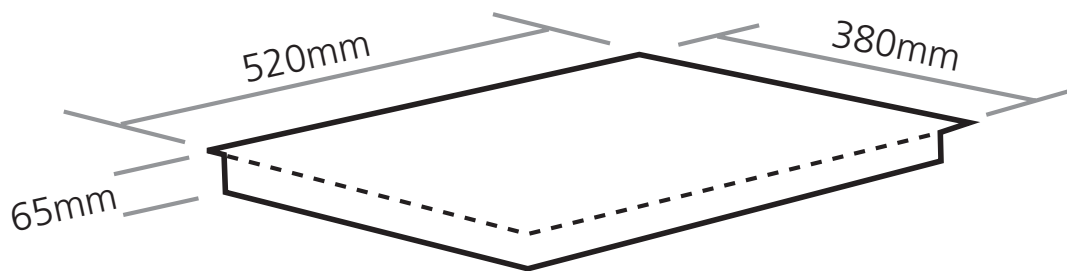


Product installation diagrams

Models:
C995
C993i
C993G



If installed without a gap in between, cut-out width = (no. of hobs - 1) x 288mm) + 268mm
