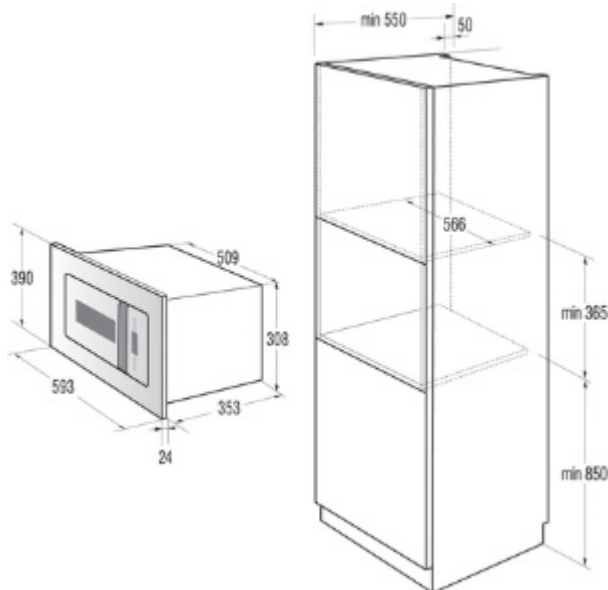


## Built-in microwave oven with grill BM6250 ORA X



Microwave oven



### Features

Control type: Electronic control  
 Front material: Metal/Glass  
 Door material: Glass  
 Inner oven material: Stainless steel oven interior  
 Microwaves + grill

### Functions / Operating

Fast heating  
 Crust function  
 AUTO menu  
 Preinstalled programmes: 6  
 AUTO defrost  
 Easy cook function  
 Child lock

### Accessories

Rotating plate  
 Plate diameter: 27 cm  
 Rotating grid

### Technical characteristics/Dimensions

Oven volume: 23 l  
 Microwave power: 900 W  
 Power of upper infra heater: 1200 W  
 Number of power levels: 5  
 Plate diameter: 27 cm  
 Dimensions of the product (W×H×D): 51 × 30,3 × 41 cm  
 Dimensions of packed product (W×H×D): 57 × 34 × 47 cm  
 Net weight: 14,5 kg  
 Gross weight: 15,7 kg  
 EAN code: 3838942720406  
 Mode of installation: Built-in